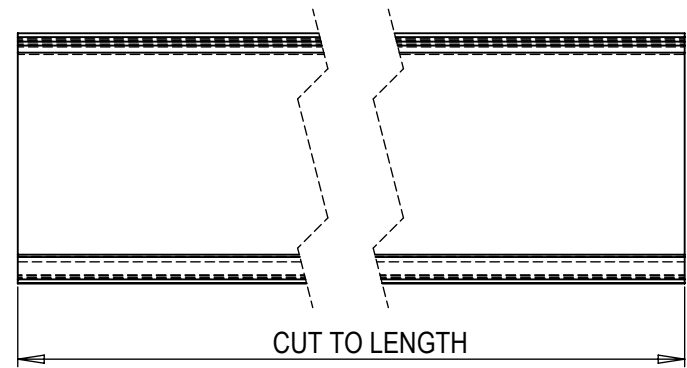


**1/2" X 5 ML Transfer Tape
Duraco DK-.500 X 1500**



DESC.	1 1/4" LABEL HOLDER	
SIZE	PART NO:	REV
A	1103 -	
		SHEET 1 OF 1

PROPRIETARY AND CONFIDENTIAL

THE INFORMATION CONTAINED IN THIS DRAWING IS THE SOLE PROPERTY OF E&C CUSTOM PLASTICS, INC. ANY REPRODUCTION IN PART OR AS A WHOLE WITHOUT THE WRITTEN PERMISSION OF E&C CUSTOM PLASTICS, INC. IS PROHIBITED.

MATERIAL
PVC

NAME
DSC

CLEAR

DATE
7/27/2020