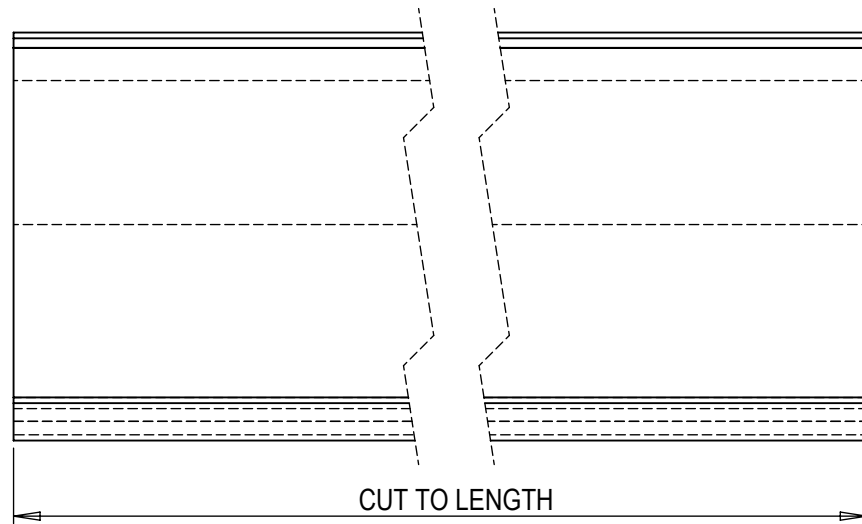
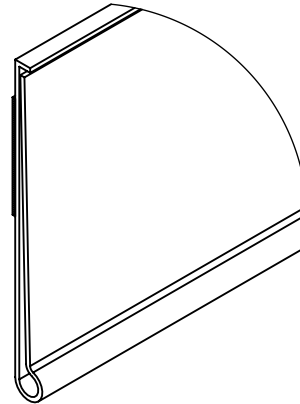
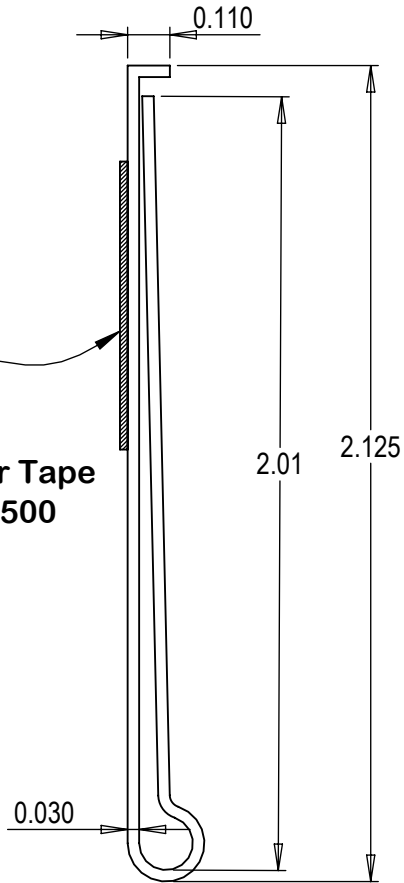




1/2" X 5 ML Transfer Tape  
Duraco DK-.500 X 1500



DESC.	<b>2 INCH SIGN HOLDER</b>	
SIZE	PART NO:	REV
<b>A</b>	<b>0804 -</b>	
		SHEET 1 OF 1

PROPRIETARY AND CONFIDENTIAL

THE INFORMATION CONTAINED IN THIS DRAWING IS THE SOLE PROPERTY OF E&C CUSTOM PLASTICS, INC. ANY REPRODUCTION IN PART OR AS A WHOLE WITHOUT THE WRITTEN PERMISSION OF E&C CUSTOM PLASTICS, INC. IS PROHIBITED.

MATERIAL  
**PVC**  
NAME  
DSC

**CLEAR**  
DATE  
**7/23/2020**