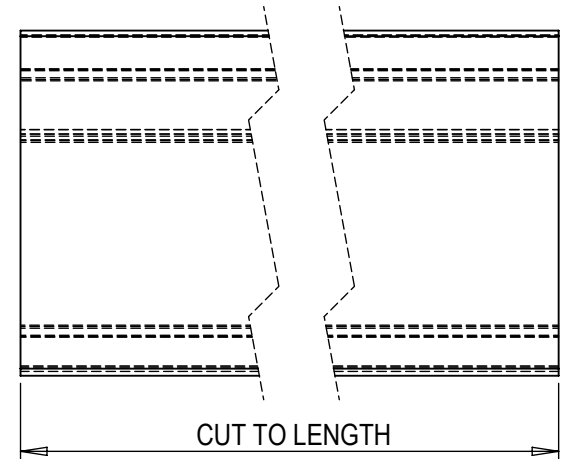
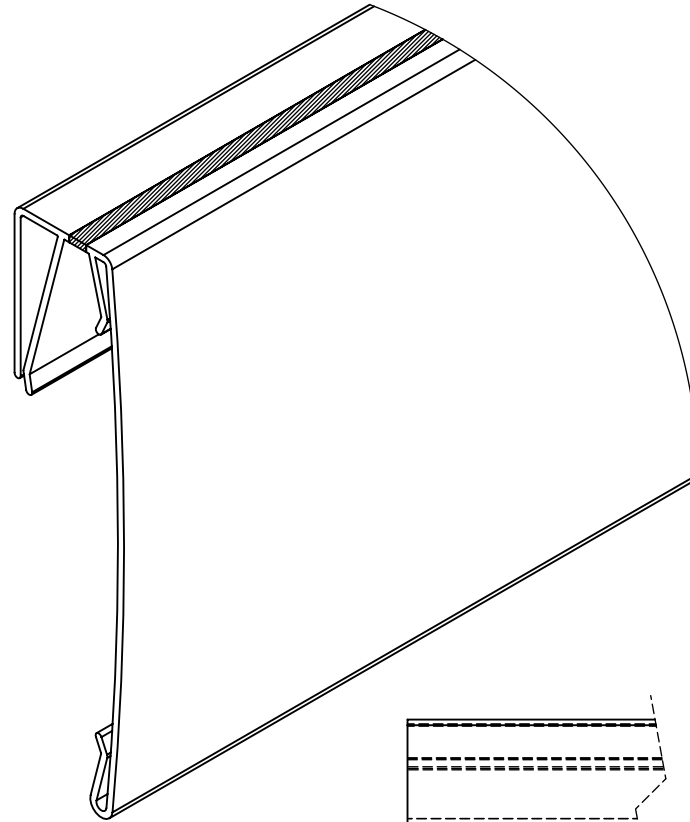
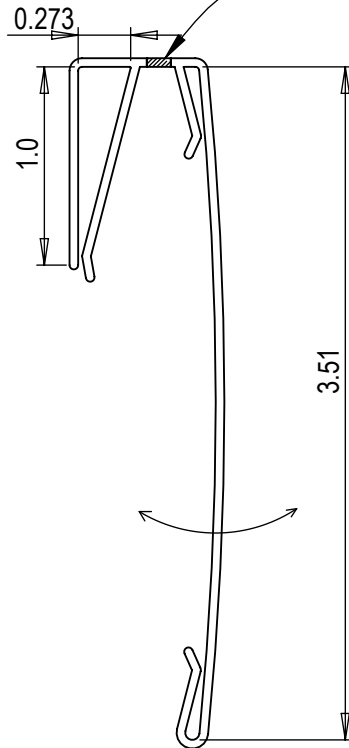




FLEX PVC HINGE



DESC. **3 1/2 CLIP ON SIGN HOLDER**

PROPRIETARY AND CONFIDENTIAL

THE INFORMATION CONTAINED IN THIS DRAWING IS THE SOLE PROPERTY OF E&C CUSTOM PLASTICS, INC. ANY REPRODUCTION IN PART OR AS A WHOLE WITHOUT THE WRITTEN PERMISSION OF E&C CUSTOM PLASTICS, INC. IS PROHIBITED.

MATERIAL
PVC

NAME
DSC

CLEAR

DATE
7/23/2020

SIZE
A

PART NO:
0802 -

REV

SHEET 1 OF 1