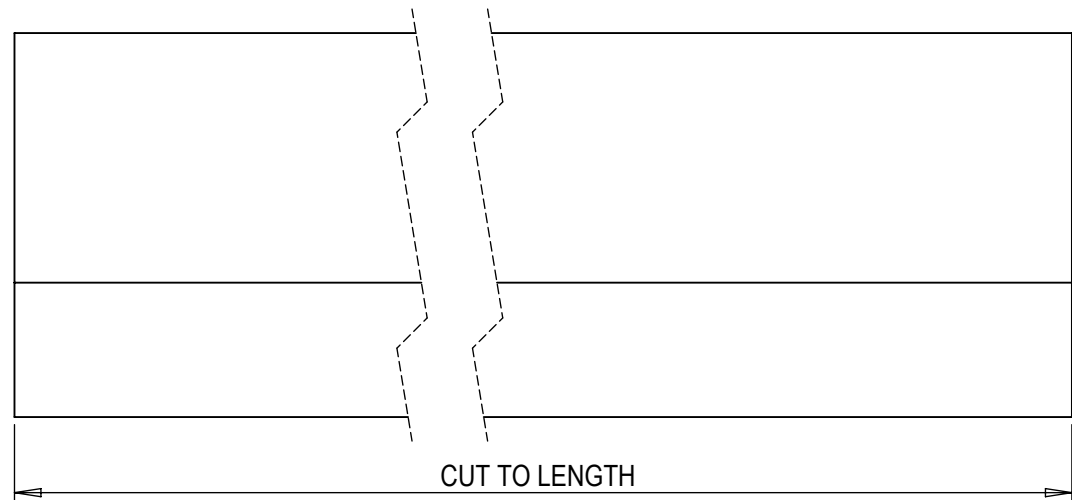
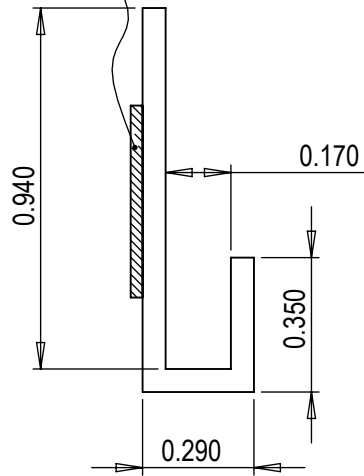


**1/32 X 1/2 DBL FACE TAPE**



DESC.		<b>.170 J CHANNEL</b>	
SIZE	PART NO:	REV	
<b>A</b>	<b>1004 -</b>		
			SHEET 1 OF 1

**PROPRIETARY AND CONFIDENTIAL**

THE INFORMATION CONTAINED IN THIS DRAWING IS THE SOLE PROPERTY OF E&C CUSTOM PLASTICS, INC. ANY REPRODUCTION IN PART OR AS A WHOLE WITHOUT THE WRITTEN PERMISSION OF E&C CUSTOM PLASTICS, INC. IS PROHIBITED.

MATERIAL  
**PS**  
NAME  
DSC

**WHITE**  
DATE  
**7/23/2020**