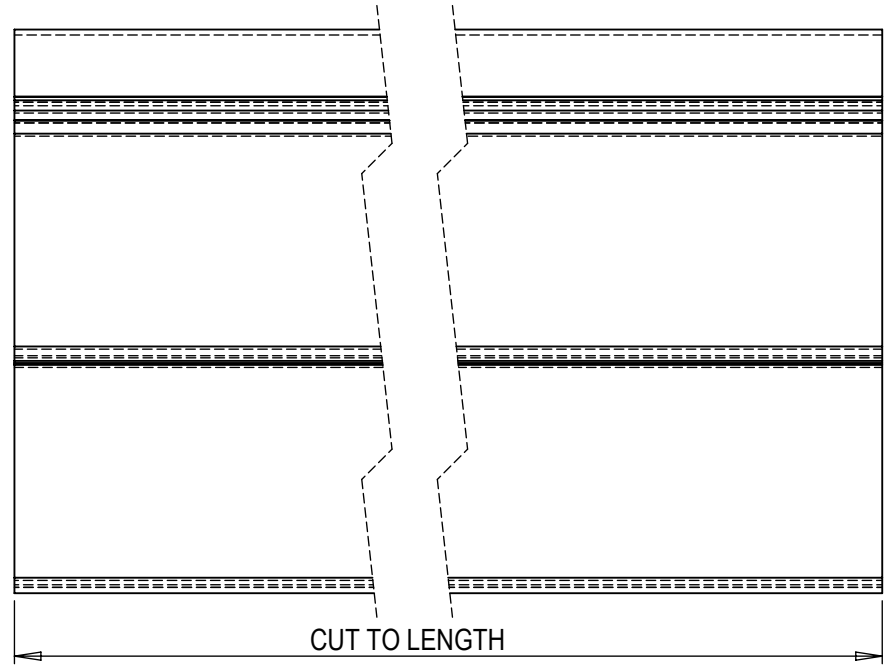
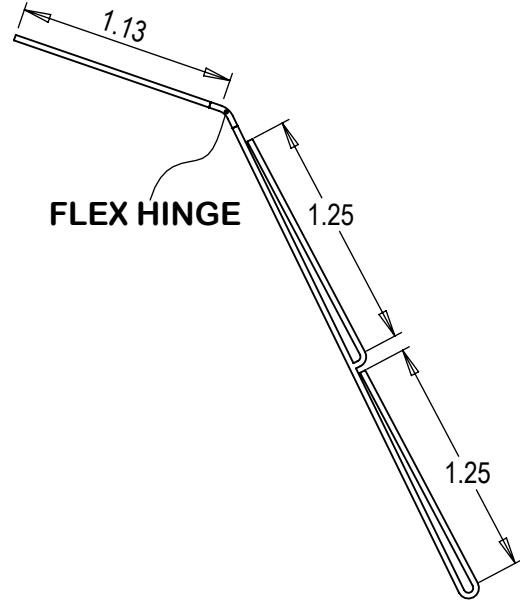
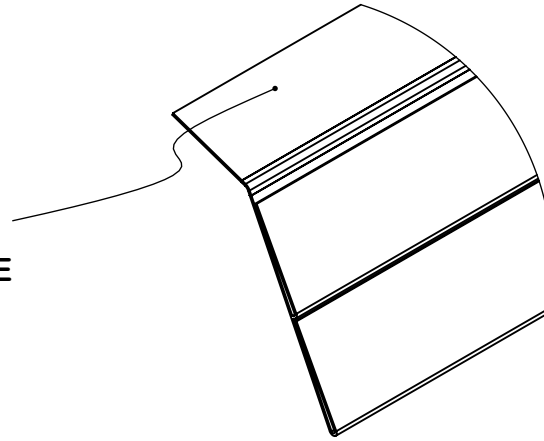




**PUNCHED OR  
DBL FACE TAPE**



DESC.  
**1 1/4" DOUBLE CARD HOLDER**

**PROPRIETARY AND CONFIDENTIAL**

THE INFORMATION CONTAINED IN THIS DRAWING IS THE SOLE PROPERTY OF E&C CUSTOM PLASTICS, INC. ANY REPRODUCTION IN PART OR AS A WHOLE WITHOUT THE WRITTEN PERMISSION OF E&C CUSTOM PLASTICS, INC. IS PROHIBITED.

MATERIAL  
**PVC**

**CLEAR**

NAME  
DSC

DATE  
**7/23/2020**

SIZE  
**A**

PART NO:  
**0808 -**

REV

SHEET 1 OF 1

5

4

3

2

1