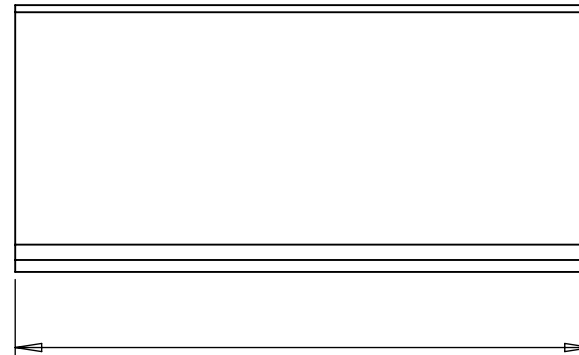
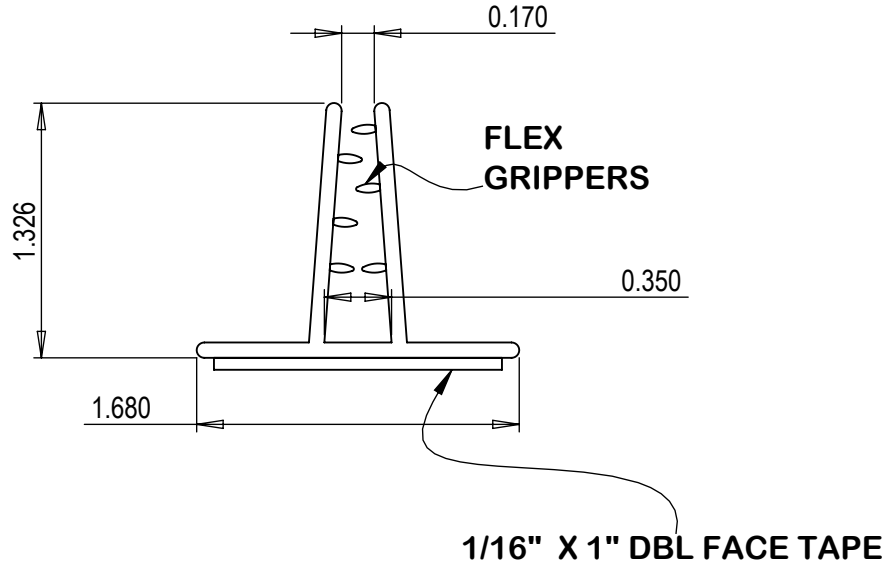
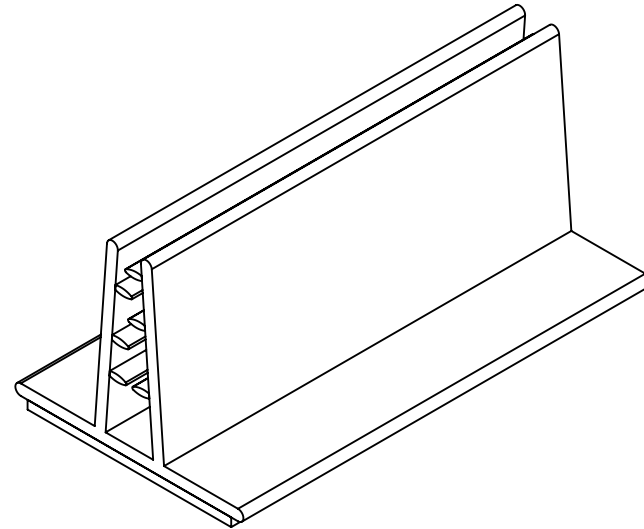




HOLDS 3/16" - 1/4" CARD



CUT TO LENGTH

DESC.		PINCHERS SIGN HOLDER	
SIZE	PART NO:	REV	
A	0705 -		
			SHEET 1 OF 1

PROPRIETARY AND CONFIDENTIAL

THE INFORMATION CONTAINED IN THIS DRAWING IS THE SOLE PROPERTY OF E&C CUSTOM PLASTICS, INC. ANY REPRODUCTION IN PART OR AS A WHOLE WITHOUT THE WRITTEN PERMISSION OF E&C CUSTOM PLASTICS, INC. IS PROHIBITED.

MATERIAL
PVC

CLEAR

NAME
DSC

DATE
7/22/2020